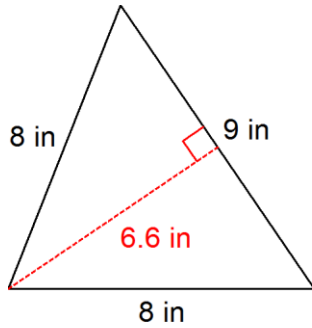


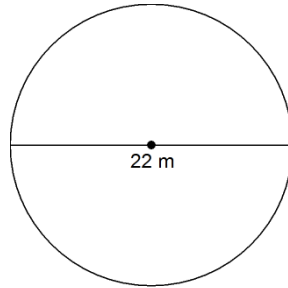
Chapter 9 Review #2

Find the area of the following

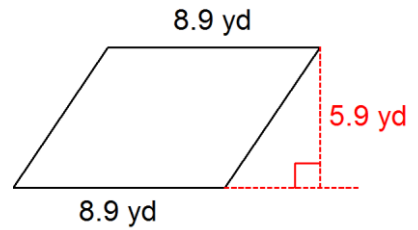
1.



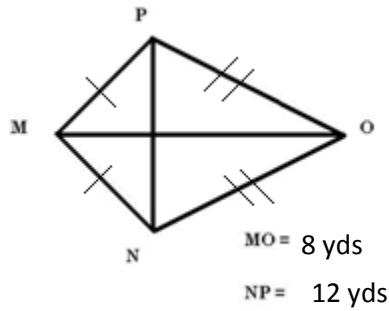
2. Keep answer in Terms of π



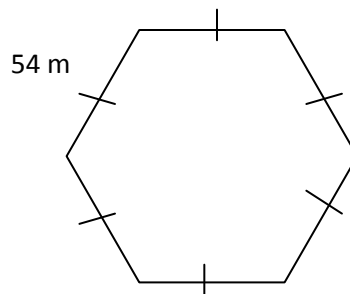
3.



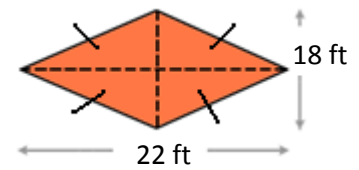
4.



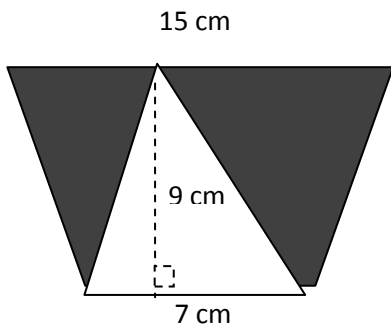
5. Keep as an Exact Answer!!



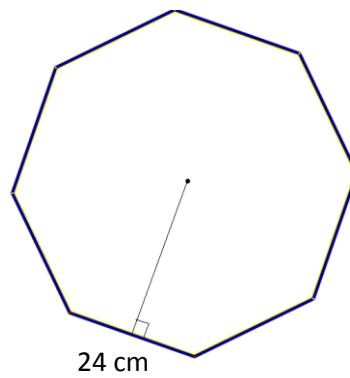
6.



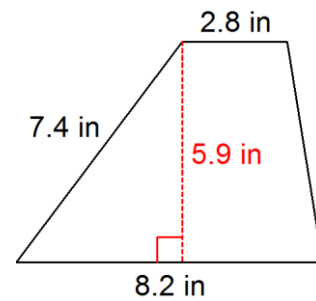
7.



8.

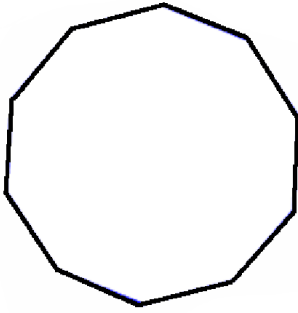


9.



Name: _____ Date: _____ Block: _____

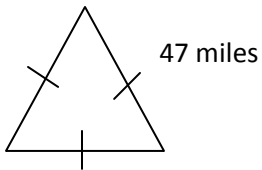
10. Fill in the missing information and label the diagram (i.e. draw in exterior angles)



Name: _____
1 int. angle: _____
1 ext. angle: _____
Sum of int.
angles: _____
Sum of ext.
angles: _____

Answer the following questions:

11. Find the area of the following. (Exact Answer Only)



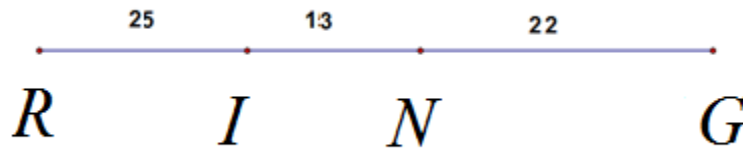
12. Find the number of sides of a convex polygon if the measure of its interior angles has the sum of $11,520^\circ$.

13. Find the number of sides of a regular convex polygon if one exterior angle is 5° .

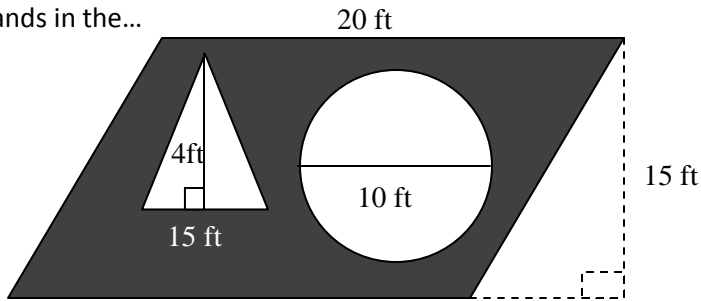
14. Draw a regular polygon.

Answer the following questions:

15. A point chosen randomly on \overline{RG} .
- What is the probability that the point is on \overline{IN} ?
 - What is the probability that the point is on \overline{RN} ?
 - What is the probability that the point is not on \overline{IG} ?



16. Let's say I throw a dart and it lands in the parallelogram what is the probability that the dart lands in the...



- Triangle and the Circle
 - Not the triangle and the circle
 - Parallelogram
17. Find the area of a regular 12-gon with a radius of 12 cm.

Name: _____ Date: _____ Block: _____

18. The circumference of a circle is 145π meters. Find the area of the circle. (leave in terms of π)

19. The area of a parallelogram is 256 square feet. If the parallelogram has a base of 9 feet, what is the height of the parallelogram?

20. Find the number of sides of a regular polygon with each exterior angle equal to 15° .

21. Find the Area of Trapezoid SONG.

